

## INSTALLATION INSTRUCTIONS

DESCRIPTION: Radiator Guard Kit

PART NUMBER: B67-E24D0-T0

MODEL: '18 ~MT-10



### ⚠ WARNING

Please read and understand these instructions completely before installation to avoid possible injury to yourself, or damage to the accessory or vehicle.

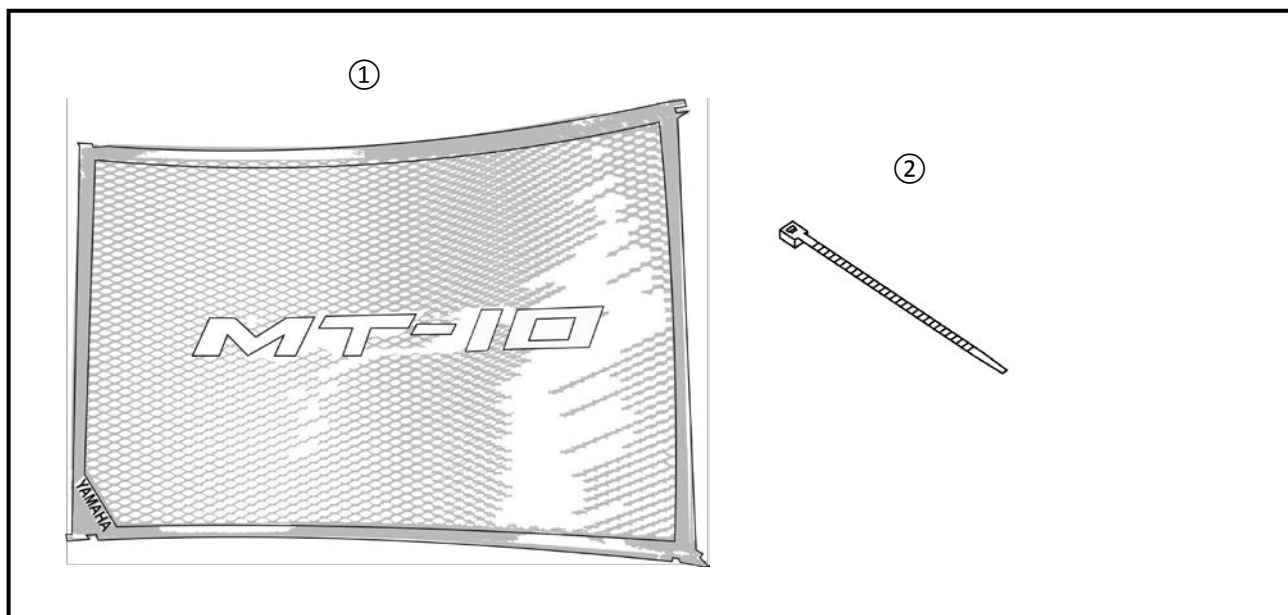
### WARRANTY INFORMATION:

In the United States, see your Yamaha dealer for a copy of the Yamaha Genuine Accessories Limited Warranty Statement.

### DEALER OR INSTALLER:

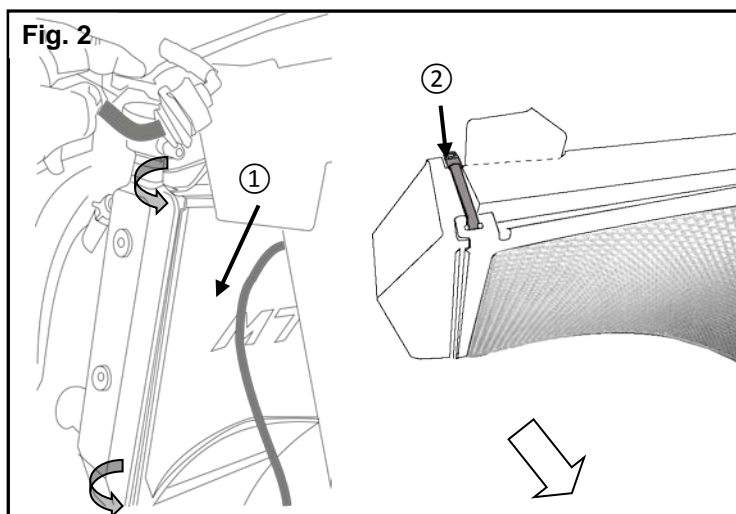
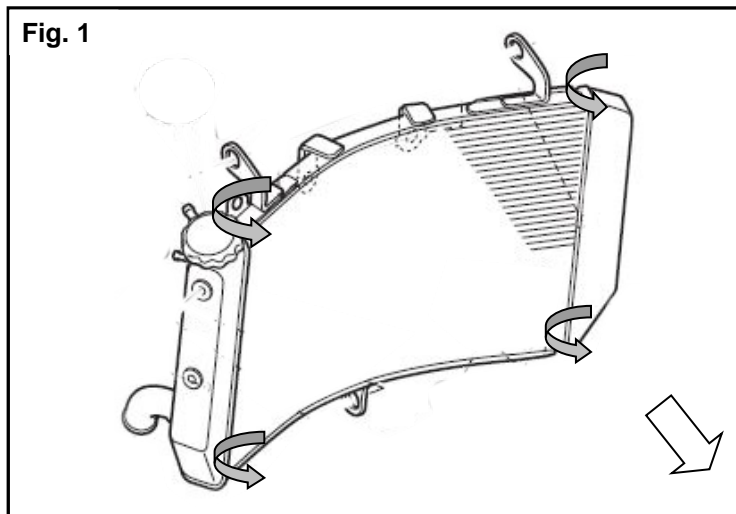
These instructions contain important information for future reference and *must* be given to the customer.

### PARTS LIST:



No.	Part Number	Description	Qty
--	B67-E24D0-T0	Radiator Guard Kit	--
①	*	Radiator Guard	1
②	*	Cable Ties	5

\* Part supplied with kit only and not available separately.



**PREPARATION:**

- Stand motorcycle on a secure and level surface.
- Clean mounting surfaces before installation.
- The engine and radiator should be cool to the touch.

**INSTALLATION:**

You should be able to complete this installation without removing side covers or radiator covers. If you choose to remove these parts, please refer to the service manual for removal and reinstallation procedures.

1. The approximate locations for the 4 cable ties used to attach the guard to the radiator are shown by the 'curved arrows' in Fig. 1
2. Slip the radiator guard in front of the radiator. Rest the radiator guard on the upper and lower radiator frame. The built in tabs on the radiator guard will help center the guard on the radiator and push it away from the surface of the radiator.
3. Thread 4 zip ties through the radiator guard and through the openings in the outside corners of the radiator. Fasten the cable ties loosely. See Fig. 2 to see how cable tie secures radiator guard to radiator.
4. Tighten the top 2 cable ties first. Ensure the guard is centered and that the gap between the guard and the radiator is the same side to side before fully tightening the cable ties.

**MAINTENANCE:**

Periodically check the cable ties and retighten or replace as needed.

**CARE AND CLEANING:**

Wash using a mild soap and water solution and soft cloth.

**CUSTOMER SERVICE:**

For further information see your Yamaha dealer.

**ESTIMATED TIME TO INSTALL: 0.2 HR**